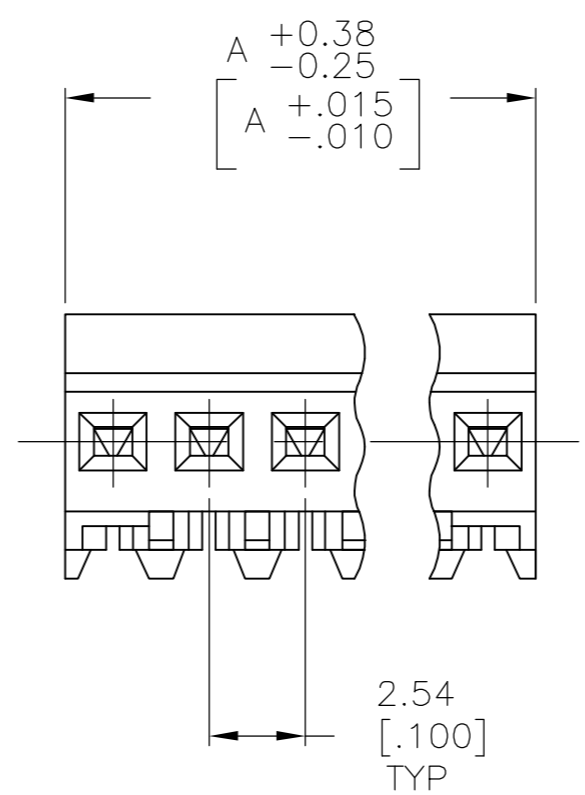
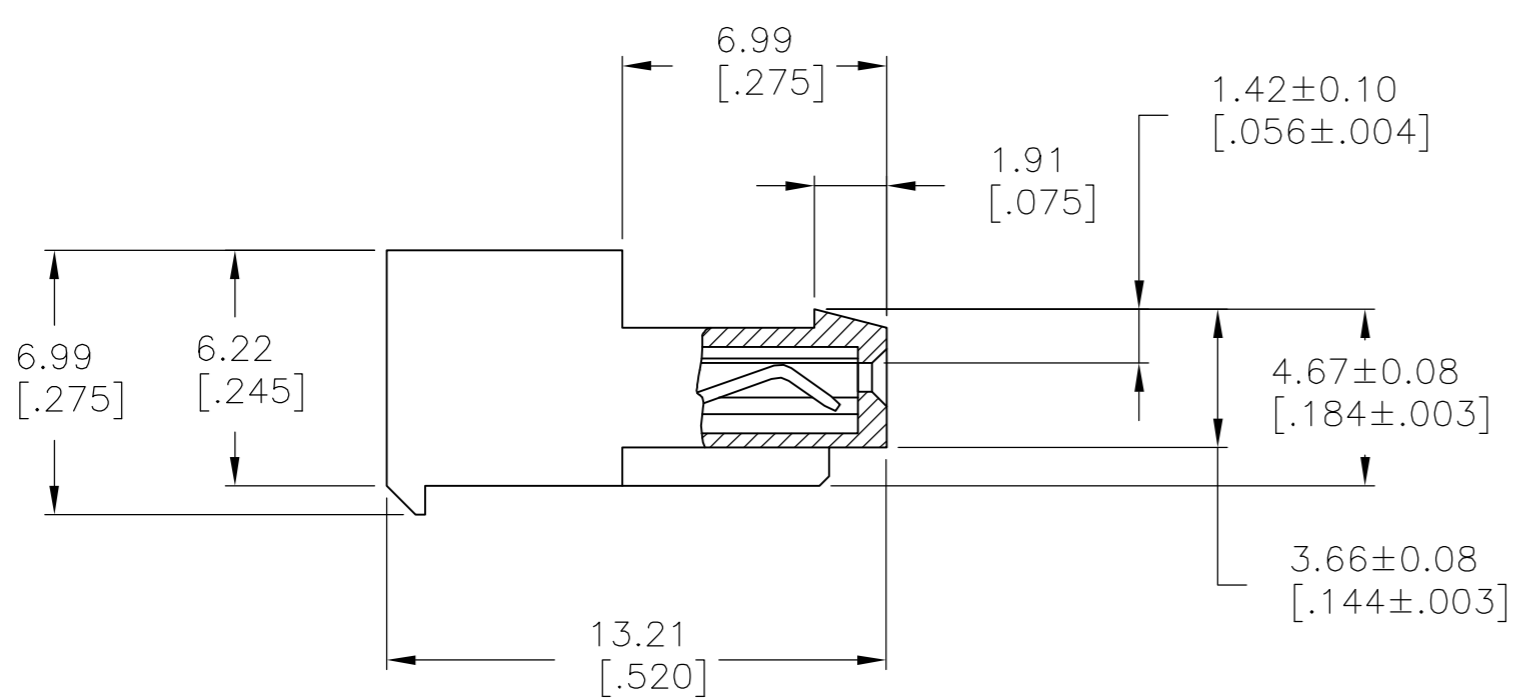
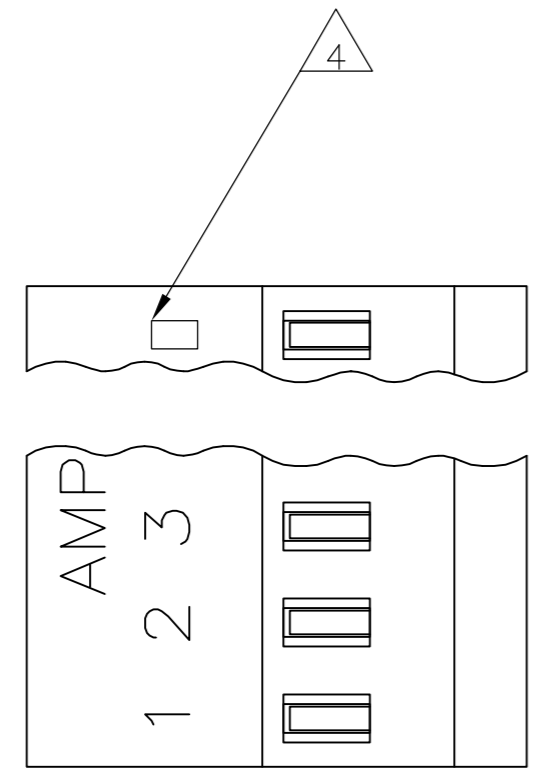


THIS DRAWING IS UNPUBLISHED. RELEASED FOR PUBLICATION
 © COPYRIGHT BY TYCO ELECTRONICS CORPORATION. ALL RIGHTS RESERVED.

LOC	DIST	REVISIONS			
P	LTR	DESCRIPTION	DATE	DWN	APVD
CM	00	C	REVISED PER ECO-07-003757	01MAR07	KW DB



- 1 MATERIAL: CONNECTOR - NYLON UL94V-0 (BLACK).
 CONTACTS - 0.30[.012] THICK COPPER ALLOY
 MATTE WHISKER MITIGATED TIN
 0.00203[.000080] MIN THICKNESS
 OVER NICKEL UNDERPLATE OR BRIGHT
 TIN-LEAD 93/7 0.00203[.000080] MIN
 THICKNESS. SEE FINISH COLUMN FOR
 PLATING TYPE.
- 2. CONTACTS ACCEPT 22 AWG WIRE WITH 1.52[.060] MAX
 INSULATION DIAMETER.
- 3. CONTACTS MUST ACCEPT 0.36-0.51[.014-.020] SQUARE
 OR ROUND POST AND REMAIN LOCKED IN POSITION.
- 4 IDENTIFICATION NUMBER FOR LAST CIRCUIT MAY
 NOT APPEAR ON ALL ASSEMBLIES.
- 5. DIMENSIONS IN BRACKETS ARE IN INCHES.
- 6. HOUSING FEATURES ARE: CLOSED END WITH
 LOCKING RAMP & LED CONTACT.

FINISH	DIM A	NO OF CIRCUITS	PART NO
TIN	5.08 [.200]	2	3-644504-2
TIN-LEAD	5.08 [.200]	2	644504-2

METRIC

THIS DRAWING IS A CONTROLLED DOCUMENT.

DIMENSIONS: mm [INCHES]	TOLERANCES UNLESS OTHERWISE SPECIFIED:	DWN B. LEWIS 22 APR 91	Tyco Electronics Corporation Harrisburg, Pa 17105-3608
	0 PLC ± -	CHK R. SWING 22 APR 91	
	1 PLC ± -	APVD G. MILLER 22 APR 91	
	2 PLC ± -	PRODUCT SPEC 108-1050	
	3 PLC ± -	APPLICATION SPEC 114-1019	NAME MTA 100 CONNECTOR ASSEMBLY, 22 AWG, FOR .014 TO .020 POST, UL94V-0, SPECIAL
	4 PLC ± -	WEIGHT -	SIZE A2
MATERIAL 1	FINISH 1	CUSTOMER DRAWING	CAGE CODE 00779
			DRAWING NO C=644504
			RESTRICTED TO -
			SCALE 5:1
			SHEET 1 OF 1
			REV C